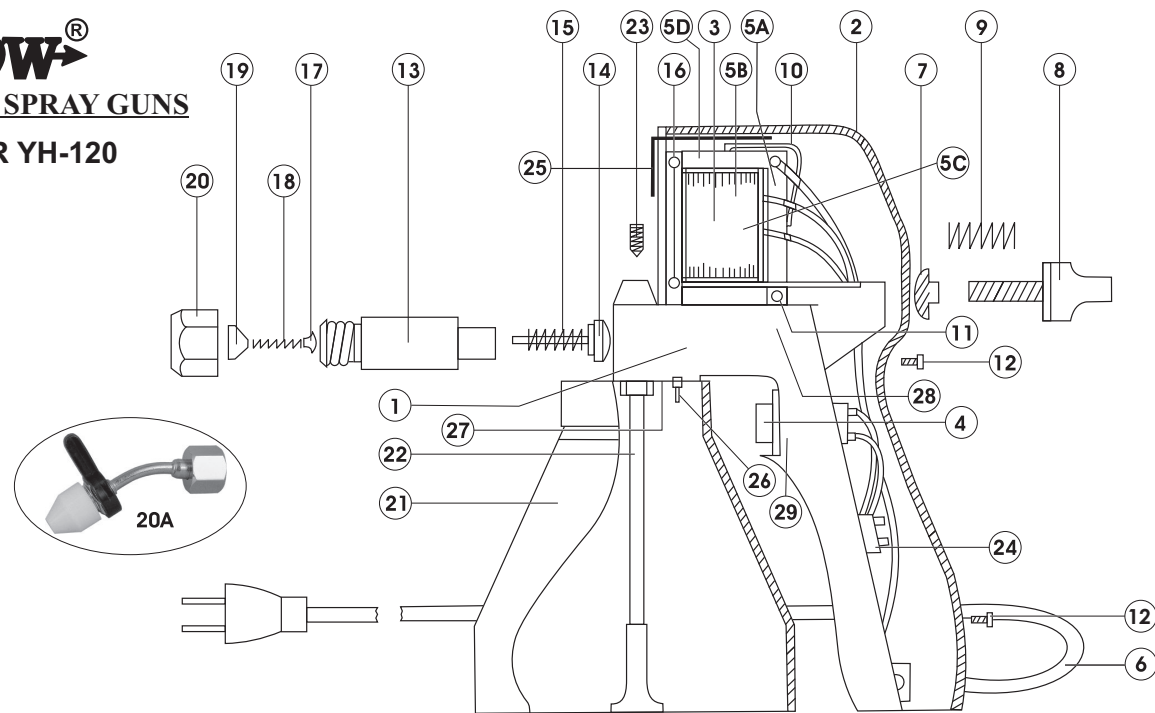


**→ARROW®**  
**TEXTILE CLEANING SPRAY GUNS**  
**PARTS LIST FOR YH-120**

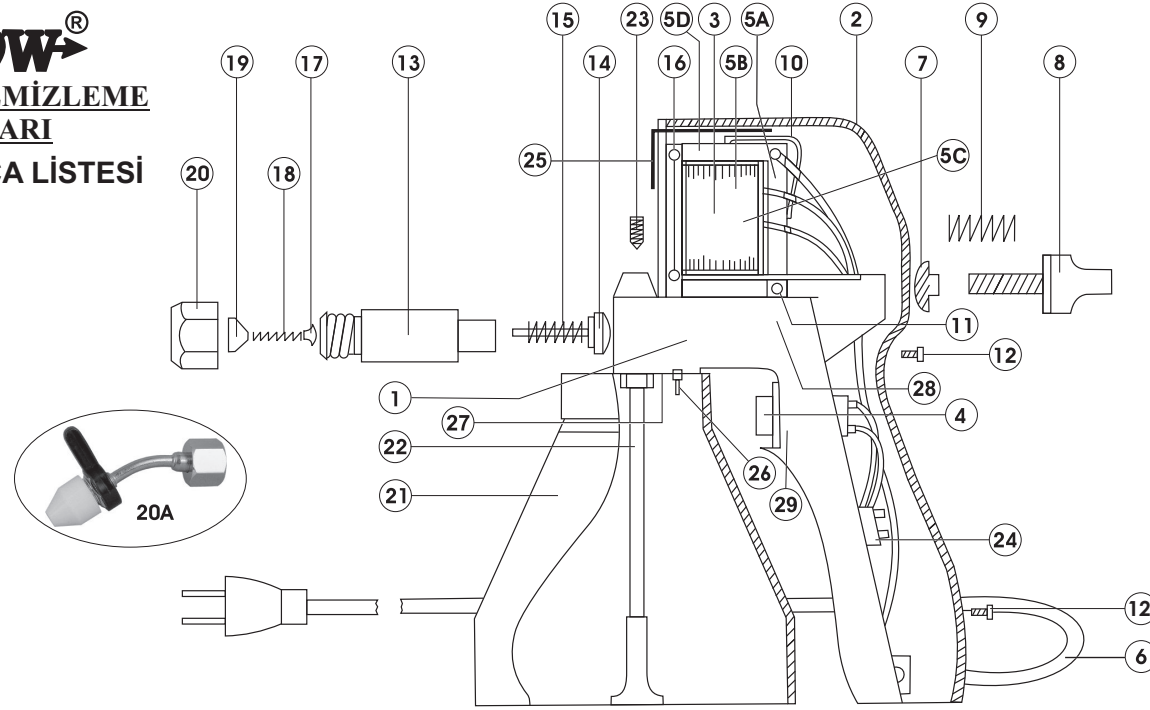


Part #	Item
1	Gun Housing
2	Gun Housing Cap
3	Inductor Coil (220V/50Hz, Coil Only)
4	Trigger Switch Assembly
5A	I Core
5B	E Core with Coil
5C	Coil Full Set (E Core + Coil + I Core)
5D	E Core Only
6	Electric Wire
7	Buffer Nut
8	Pressure Control Knob

Part #	Item
9	Pressure Control Knob Spring
10	Coil Spring
11	Coil Pin
12	Gun Housing Screws (2 pcs)
13	Pump Cylinder
14	Piston
15	Piston Spring
16	Coil Locking Pin
17	Delivery Valve Cone
18	Delivery Valve Spring
19	Swirl Head (17, 18, 19 Form a Set)

Part #	Item
20	Nozzle - Straight
20A	Nozzle - Adjustable
21	Solvent Jar
22	Suction Pipe With Filter
23	Conical Screw
24	Connector Block
25	Hook
26	Overflow Insert
27	Jar Washer
28	Coil Bush
29	Switch Locking Ring

**ARROW®**  
**TEKSTİL LEKE TEMİZLEME**  
**TABANÇALARI**  
**YH-120 İÇİN PARÇA LİSTESİ**



Parça #	Ürün
1	Tabanca Gövdesi
2	Tabanca Gövdesi Kapağı
3	Elektrik Kondansatörü (220V/50Hz, Yalnızca Kondansatör)
4	Çalıştırma Düğmesi
5A	I Göbek (Çekirdek)
5B	Bobinli E Göbek (Çekirdek)
5C	Bobin Takımı (E Göbek + Bobin + I Göbek)
5D	Yalnızca E Göbek
6	Elektrik Kablosu
7	Tampon Somunu
8	Basınç (Hz) Kontrol Düğmesi

Parça #	Ürün
9	Basınç Kontrol Düğmesi Yayı
10	Bobin Yayı
11	Bobin Pimi
12	Tabanca Gövdesi Vidaları (2 Adet)
13	Pompa Silindiri
14	Piston
15	Piston Yayı
16	Bobin Kilitleme Pimi
17	Besleme Subabı Haznesi
18	Besleme Subabı Yayı
19	Döner Başlık (17, 18, 19 Bir Takım oluşturur)

Parça #	Ürün
20	Düz Uç
20A	Ayarlı Uç
21	İlaç Haznesi
22	Filtreli İlaç Emme Borusu
23	İlaç Borusu Ayar Vidası
24	Konektör Bloğu (Elektrik Devresi)
25	Kanca (Kablo Tutucu)
26	Taşma Ek Parçası
27	Hazne Yıkayıcı
28	Bobin Kovanı
29	Düğme Kilitleme Halkası





**SERIAL NO. STICKER :**

**DEALER DETAILS :**

**Refer Page No. 10 for List of FREE SPARES**

Users Manual For



**TEXTILE CLEANING SPRAY GUNS**

	
<b>CM 11</b>	<b>CM 11A</b>
	
<b>CM 16</b>	<b>CM 16A</b>





## TEXTILE CLEANING SPRAY GUNS

### **Product Introduction**

Our Textile Cleaning Spray Guns are hand held equipment capable of spraying cleaning solvents at high pressure through specially designed nozzles. These assemblies run on electricity and consume very low wattage. The solvent is sprayed by pressure developed by vacuum and eliminates the requirement of a separate air compressor attachment. The usage is simple and convenient. The design of the product allows the user to vary the spray velocity along with the solvent outflow thereby making it highly economical and giving it a wide spectrum of usage.

### **Product Usage**

Our Textile Cleaning Spray Guns have primarily been developed for spot removal of dirt, oil stains and other spots from textile fabrics and garments, mainly at the manufacturing stage. Solvents are sprayed at high pressure and velocity at the dirt spots, helping to shoot the dirt out from the fabric thereby removing the stains, without damaging the fabric. The spray velocity can be adjusted by the user, making it highly versatile in usage, as different fabrics require different levels of pressure to enable them to be cleaned without any damage.

The versatility of our Textile Cleaning Spray Guns allows for a wide spectrum of uses. The product can be used in areas like cleaning of textile fabrics, in the printing industry for cleaning of typesets and rollers, electronic industry for cleaning of PCBs, manufacturing industry for cleaning areas of machines which are not easily accessible, electronic/electrical industry for contact cleaning (with the power switched off), hair wigs industry / wig shops for cleaning of hair bases, for spraying pesticides on plants, rocks, stone slabs, tiles cleaning etc.

**With a view of making continuous improvements, the manufacturer reserves the right to make changes in the technical construction of the unit, without any prior information.**

**The user can contact the manufacturer/dealer for any further information on the product.**







### Product Models

Our Textile Cleaning Spray Guns are available in four models as detailed below:

1. **CM 11** – This Spray Gun is designed in highly buffed aluminium alloy housing for rugged usage. This comes with a straight spray nozzle, which delivers a straight-line spray, which makes it more ideal for thick and medium woven fabrics where the spray velocity required is on the higher side. This is more suited for application in areas where fewer type of fabrics are to be cleaned.

2. **CM11A** – This spray Gun is also similar to the construction of the CM11, with a change of nozzle. This comes equipped with an Adjustable nozzle, thereby giving the user a twin adjustment of the spray pressure and velocity, one on the spray gun itself, and the other, on the nozzle. This gives the Gun a much finer control of the spray pressure and velocity, making it suitable for all type of fabrics from delicate and fine fabrics to thick and closely woven fabrics. The pressure adjustment on the nozzle is done in a step less movement also allowing the user to control the solvent outflow and area of spray.

3. **CM 16** – This Spray Gun is designed in Glass Filled Nylon Plastic body, in attractive body colour. The construction is light weight but highly resistant to impact and heat. This model comes equipped with a nozzle delivering straight-line spray as in the CM11, with the areas of usage also being similar to that of the CM11.

4. **CM 16A** – This Spray Gun is similar to CM16, but is fitted with the Adjustable Nozzle. The design of the nozzle remains same as that used in the CM11A, thereby giving it the same area of usage as that of the CM11A, but of lighter weight due to the change in body construction material.





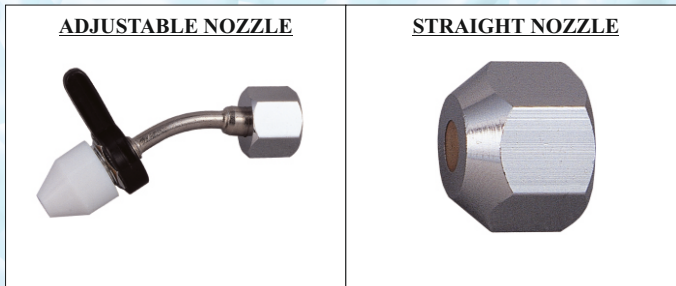
### Usage of Solvents

Our Textile Cleaning Spray Guns are meant to be used with any solvent suitable to the application, and also, the solvent being permitted to be used by the law governing the country.

It is not recommended to use the unit for spraying flammable materials.

Do not use the unit for spraying water.

### Types of Nozzles



### **PRODUCT SPECIFICATION**

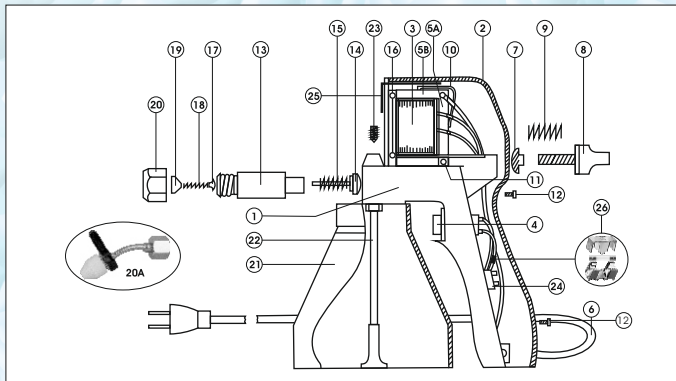
Model:	CM 11	CM 11A	CM 16	CM 16A
Volts:	220V AC		220V AC	
Watts:	60 Watts		40 Watts	
Frequency:	50 Hz			
Solvent	Solvent suitable for the application other than flammable solvents.			
Insulation Class	Class I			
Switch	Press to on / Release to off type			
Weight (Dry / With Solvent)	CM 11 / CM 11A 1.5 / 2.1 Kgs		CM 16 / CM 16A 1.2 / 1.7 Kgs	
Rated Usage/Rest time	15 seconds/30 seconds			
Fuse	Replaceable glass fuse 5x20mm, 800 mA			
Solvent Jar Capacity	CM 11 / CM 11A 750 ml		CM 16 / CM 16A 650 ml	
Current Rating	TS11/TS11A 600 mA		TS16/TS16A 500 mA	







## PARTS LIST FOR MODELS CM 16 & CM 16A



- |   |  |
|---|--|
| 1. Gun Housing  | 15. Piston Spring  |
| 2. Gun Housing Cap                                    | 16. Coil Locking Pins  |
| 3. Inductor Coil<br>(220V/50Hz; 110V/60Hz; 100V/60Hz) | 17. Delivery Valve Cone  |
| 4. Trigger Switch Assembly                            | 18. Delivery Valve Spring  |
| 5A. I Core  | 19. Swirl Head<br>(17, 18 and 19 form a set)                       |
| 5B. E Core  | 20. Nozzle – Straight  |
| 6. Electric Wire                                      | 20A. Nozzle – Adjustable   |
| 7. Buffer Nut   | 21. Solvent Jar  |
| 8. Pressure Control Knob                              | 22. Suction Pipe With Filter                                       |
| 9. Pressure Control Knob Spring                       | 23. Conical Screw  |
| 10. Coil Spring                                       | 24. Connector Block  |
| 11. Coil Pin  | 25. Hook   |
| 12. Gun Housing Screws                                | 26. Fuse Assembly (Fuse Holder, Glass<br>Fuse & Fuse Holder Cover) |
| 13. Pump Cylinder                                     |  |
| 14. Piston  |  |

Page 15 of 18

## TEXTILE CLEANING SPRAY GUNS

### OWNER'S USAGE MANUAL

Arrow Spray Guns have been designed using the best of materials to give the user a long trouble free and safe usage. **Please read the following instructions fully and carefully before use.** Please keep this manual close to the unit in case of requirement of specific information relating to use or safety.

Arrow Textile Cleaning Spray Guns are primarily designed to use suitable solvents as the solvent material. Please check the availability of the same in your area.

Our Textile Cleaning Spray Guns deliver a solvent spray of high pressure and velocity and as such necessary precautions have to be followed in handling the unit.

#### Pre Usage Precautions

1. Please check the voltage rating marked on the unit and check its compatibility with the voltage rating in your area before plugging in the equipment. For e.g. If the voltage rating marked on the Unit is 220V AC/ 50/60Hz then the unit is suitable only in areas where the supplied voltage rating is of 220V AC.
2. Please ensure that the area where the unit is to be used is well ventilated.
3. Please ensure the absence of other equipment with open flames or sparks near the area of usage.
4. Please ensure that the unit is used in a no smoking zone.
5. Please ensure that there is a flat surface or a spring tensioner on which the unit can be kept/hung when not in use for shorter periods.

Page 4 of 18

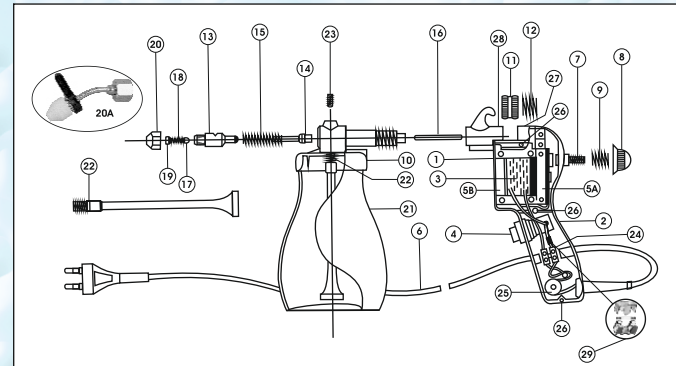




### Usage Directions:

1. Plug in the unit into a suitable power socket. The unit is usually supplied with a electric wire (Part no.6) of around 3 meters length giving the user enough maneuverability.
2. Unscrew the solvent jar (part no.21) from the unit and fill it with the required solvent. Screw the solvent jar back into the housing tightly to prevent spillage. Before filling the solvent jar, ensure that the solvent jar is free from any loose dirt/objects, which can enter the system and damage the unit.
3. **DO NOT RUN THE UNIT WITHOUT SOLVENT, AS THIS CAN CAUSE SERIOUS DAMAGE TO SOME OF THE COMPONENTS IN THE UNIT.**
4. In the case of CM11 and CM16 models, remove the protective plastic cap from the nozzle by pulling it out, before usage. Switching on the unit without removing this cap can cause damage to the unit and injury to the user. Please keep the cap carefully for later usage.
5. For cleaning Textiles, sort out the fabrics to be cleaned into thick/closely woven, medium woven, light/loose woven fabrics. The spray pressure has to be adjusted to suit different fabrics. For cleaning any other items, please select the spray velocity as needed to clean that item.
6. Turn the pressure-control knob (Part no. 8) at the back of the unit clockwise by around one turn to set it to a initial low pressure setting. Do not close it fully.
7. Point the unit away from the user or any other person or animal standing nearby, before switching on the unit. Failure to do so can seriously injure the person/animal.
8. It is recommended that the spray velocity be checked by spraying in open air before actual usage on any item to determine the spray velocity setting required. The spray can be adjusted as needed and then the unit can be used for cleaning the items.

### PARTS LIST FOR MODELS CM 11 & CM 11A



- |   |  |
|---|--|
| 1. Gun Housing  | 16. Intermediate Rod   |
| 2. Gun Housing Cap                                    | 17. Delivery Valve Cone  |
| 3. Inductor Coil<br>(220V/50Hz; 110V/60Hz; 100V/60Hz) | 18. Delivery Valve Spring  |
| 4. Trigger Switch Assembly                            | 19. Swirl Head<br>(17, 18 and 19 form a set)                       |
| 5A. I Core  | 20. Nozzle – Straight  |
| 5B. E Core  | 20A. Nozzle – Adjustable   |
| 6. Electric Wire                                      | 21. Solvent Jar  |
| 7. Pressure Control Bolt                              | 22. Suction Pipe With Filter                                       |
| 8. Pressure Control Knob                              | 23. Conical Screw  |
| 9. Pressure Control Knob Spring                       | 24. Connector Block  |
| 10. Front Body  | 25. Rubber Bush  |
| 11. Adjusting Roller                                  | 26. Gun Housing Screws   |
| 12. Adjusting Roller Spring                           | 27. Oil Hole   |
| 13. Pump Cylinder                                     | 28. Allen Grub Screw M3  |
| 14. Piston  | 29. Fuse Assembly (Fuse Holder, Glass<br>Fuse & Fuse Holder Cover) |
| 15. Piston Spring                                     |  |







3. The spray is inconsistent.

*Check if the nozzle has been blocked by contaminants / foreign objects. If yes, clear the blockage by using compressed air or by gently removing the object by use of a wire brush or nozzle cleaner (spare provided). Be careful not to damage the orifice of the nozzle, as this will render it useless. If there are no contaminants and still the spray is inconsistent, then the nozzle will have to be replaced with a new one. Contact the nearest Service Center for supply of a new nozzle.*

4. The unit is on, but there is no vibration. Instead there is a humming sound.

*Open the cylinder and check if the piston is seized. If yes, gently remove the piston, clean the cylinder and the piston and assemble back.*

**For any other problem please contact the Manufacturer /nearest Service Centre for Repairs and Assistance.**

9. Keeping the unit upright, point the nozzle towards the fabric/item to be cleaned and switch on the gun by pressing the trigger switch(part no.4). The trigger switch is of the press to on/release to off type. The unit can be switched off by removing the finger from the switch.
10. The unit normally takes a few seconds to prime and begin to spray the solvent.
11. The unit vibrates while in operation and this is the normal working condition. A certain degree of sound is also generated.
12. If the unit does not spray the solvent, turn the pressure-control knob anticlockwise.
13. Once the unit begins to spray the solvent, adjust the spray pressure by adjusting the pressure control knob clockwise/anticlockwise. Turning the knob anticlockwise increases the pressure and is more suitable for thick fabrics, while turning the knob clockwise, decreases the pressure, and is more suitable for lighter fabrics.
14. If the unit is fitted with the adjustable nozzle (in models CM11A and CM16A only), the spray velocity and spread can be further adjusted by turning the adjustment knob on the nozzle. The nozzle is capable of delivering a fine mist spray to a piercing straight-line spray, by making suitable adjustments.
15. Maintain a distance of between 5-40 centimeters between the nozzle and the fabric/item depending on the type and thickness of the fabric, nature of item, nature of spot/stain, and pressure adjusted.
16. Rinse out the dirt stain/clean the item by spraying the solvent in a circular manner moving from outside of the stain/dirt patch to the inside.
17. Once the stain has been removed, release the trigger switch to switch off the unit.





### **Usage Precautions**

1. Use the unit in a well ventilated area free from open flames/sparks.
2. High pressure is developed in the unit. Point the unit away from the user or any other person/animal. Failure to do so can cause serious injury to the person/animal.
3. Proper pressure setting is essential while using the unit. Improper pressure setting can damage the fabric or cause inefficient cleaning.
4. Do not keep the unit in any tilted position when not in use especially when the jar is filled with the solvent to avoid spillage of the solvent.
5. Do not drop the unit. This may cause the unit to be damaged. If the unit is dropped by accident, please check the unit thoroughly including the electrical connections for any loose contacts before further usage. If found to be damaged please do not use the same and have it repaired at the nearest service center.
6. Switch off the socket power switch before unplugging the unit.
7. It is recommended to avoid running the unit continuously non-stop. A rest time for the unit is recommended at regular intervals to prolong the working life of the unit.
8. Do not use the unit with the nozzle pointing skywards.
9. Do not use the unit for spraying only water as this may cause some of the parts to wear out faster.
10. Do not clean the unit with any flammable solvents.
11. Do not spray any solvent/material where the hazard is not known. Consult the solvent manufacturer's product literature for more usage information.



### **Product Troubleshooting**

Remove the plug from the socket before carrying out any adjustment, servicing or maintenance on the unit.

1. Unit does not switch on.  
*Check if Electric cord is plugged in. If not, then plug in.  
Check if the unit's voltage rating is the same as the voltage rating in your area.  
Check if the fuse in the unit has blown. If Yes, then replace with a new fuse (as described in Product Maintenance section)*
2. Unit does not spray solvent.  
*Check if solvent has been filled into the jar. If not, then fill in solvent.  
Check if the nozzle cap has been removed. If not, remove it. (In CM11 and CM16 only)  
Check if the suction pipe is tightened properly. If not, screw it tight (do not over tight)  
Check if the pressure adjustment knob is turned in fully. If yes, then turn it anticlockwise.  
Check if the Delivery Valve set is damaged. If yes, replace with spare provided. (Part No.17,18,19)  
Remove the cylinder and check if the Piston Spring is broken. If yes, replace with the spare provided.*







#### **Transportation and Storage**

Each unit is packed in an individual carton box and held tight in the box using EPS (Thermocole) molded supports to prevent the unit from being damaged during transit. Please keep the box and the thermocole supports safely to enable the unit to be repacked by the user and transported to a different place if needed.

The unit can be stored for shorter periods in the open after usage. If it is required to be stored for longer periods, it is recommended to either repack the unit in the original packing or pack it in a protective plastic cover. Please ensure that the solvent jar has been totally emptied and the remaining solvent in the gun sprayed out before storage.



#### **Product Maintenance**

Remove the plug from the socket before carrying out any adjustment, servicing or maintenance on the unit.

1. Keep the electric wire properly secured to avoid damage due to abrasion.
2. After usage of the unit for the day, open the solvent jar and empty the solvent. Spray out the remaining solvent from the system.
3. In model CM11 and CM11A, lightly oil the unit through the oil hole (part no.27) located at the top of the unit near the adjusting roller (Part No.11). Do not use more than 2-3 drops of oil. Regular machine oil can be used.
4. **Fuse Replacement:** The unit is provided with a replaceable glass fuse of size 5x20mm of 800mA rating. If the fuse needs replacement, gently lift out the fuse assembly from the housing. The fuse holder and the cap are held together with a rubber sleeve. Slide out the sleeve. Remove the fuse holder cover from the fuse holder and pry open the fuse. Check if the fuse is blown. If the fuse is blown, then replace the fuse with the spare provided/new one. Fit back the assembly in the manner removed. Please do not remove the fuse assembly by pulling at the wires as this could cause the wire leads to work loose.





5. Remove the Pump cylinder (Part No.13) at regular intervals for cleaning. Lightly oil the piston (part no. 14) with regular machine oil, before fitting it back into the cylinder. The cylinder can be removed in the following manner:
  - a) Unplug the unit from the electric socket.
  - b) Unscrew the nozzle (part no. 20 or 20A) and remove it. Also remove the Delivery valve set (part No.17,18,19) and keep safely for later usage. Change the Delivery Valve set if it is worn out.
  - c) Unscrew the solvent jar (part no.21) and loosen the suction pipe (part no.22) by turning it anticlockwise.
  - d) Unscrew the brass Conical screw (part no.23) at the top of the unit.
  - e) Pull out the pump cylinder (part no.13) from the housing.
  - f) Remove the Piston spring (part no.15) and the Piston (part no.14) and clean all the parts removed.
  - g) If the Piston spring (part no.15) is worn out/broken, replace the same with the spare provided.
  - h) Assemble back the components in the manner they have been removed.
6. If any parts are worn out due to wear and tear, the same can be ordered from the nearest service center. Please refer to the enclosed parts list for ordering the required items.



#### **User Safety Instructions**

1. Use the unit in well ventilated area. The solvents used could cause breathing hazards and irritation to the eyes in the event of improper ventilation. Usage of breathing masks/protection goggles/ear plugs/proper exhaust equipment is recommended.
2. Proper clothing should be used and the solvent spray should never be sprayed on to a person's body. This can cause serious injury and skin irritations. If skin irritation occurs, clean with warm water and soap. If the problem persists, consult a doctor.
3. The unit generates vibrations during use. Usage of protective padded hand gloves is recommended for user safety and comfort.
4. The unit generates heat during use. Usage of protective padded hand gloves is recommended for user safety and comfort.

#### **Packing Contents**

This pack contains the following:

1. 1 no. Textile Cleaning Spray Gun (CM11 / CM11A / CM16 / CM16A), fully fitted and ready for use.
2. 1 no. 1.5mm Allen key for maintenance (only in CM11 and CM11A- to unscrew the Allen grub screw (part no.28) to enable the Front body to be removed)
3. 1 no. Piston Spring spare. (part No. 15)
4. 1 no. Delivery Valve Set spare.(part No.17,18,19)
5. 1 no. Replaceable Glass Fuse 5x20mm, 800mA rating.
6. 1 no. Nozzle Cleaner
7. 1 copy of User's Manual.





# ARROW®

CE

Tekstil Leke Temizleme Tabancası  
Ayarlı Uç

YH-120



ARROW® 220V~/50Hz CE  
40W/0.15A  
YH-120 CLEANING GUN  
Attention : This product is designed for intermittent use. To prevent over-heating, do not use uninterrupted for more than 2 minutes and then give a break of at least 1 minute.  
MADE IN INDIA  
Appliance shall only be used with rated voltage & frequency

ARROW® YH-120 CE  
Tekstil Leke Temizleme Tabancası

Geliştirilmiş  
Ayarlı Uç  
Sistemi



Volts	Hz
AC 220	50



# ARROW®

## TEXTILE SPOT CLEANING GUN ADJUSTABLE NOZZLE YH-120



**Improved  
Nozzle Pressure  
System**

For Industrial Use Only



Volts	Hz
AC 220	50



### USAGE OF TEXTILE SPOT CLEANING GUN / SPRAY GUN

To clean thick and closely woven fabric, turn the adjustment knob on the nozzle to achieve a fine straight line of high pressure spray. Keep the gun at the required distance from the fabric for quick and efficient cleaning. At about 5-30cm, depending on the fabric.

To clean delicate and fine fabric, turn the adjustment knob on the nozzle to achieve a low mist pressure spray for cleaning without damaging the fabric. Further pressure adjustment can be achieved by adjusting the pressure control knob at the rear of the gun.

Our Textile spot cleaning Guns are designed for quick and efficient spot removal of dirt and stains from all kinds of fabrics. It works on the technique of pressure created by vacuum and does not require a separate air compressor. Its design makes it very convenient and economical for regular usage.

### ADVANTAGE OF ADJUSTABLE NOZZLE

This nozzle is best suited for higher efficiency in removal of dirt, oil stains and other spots in different kinds of fabrics. It is also more economical to use due to its advanced step-less pressure adjustment feature which allows the user to control the solvent outflow and the area of spray, as required, by a simple turn of the adjustment knob on the nozzle.

### YH-120 is fitted with Adjustable Nozzle.

The pressure in this nozzle can be varied along with the area of spray, and this is best suited for different kind of fabrics.

### DIRECTIONS FOR USE :

1. Trichloroethane 1.1.1 or an equivalent solvent is recommended to be used for cleaning.
2. The pressure of the gun can be varied as required depending upon the type of fabric. Turn the Pressure Control Knob at the rear of the gun anti-clockwise for increasing pressure and clockwise for decreasing pressure.
3. Maintain a distance of 5-30 cms between the fabric and the gun, depending on the type of fabric to be cleaned.
4. Spray in a circular manner on the stain, moving from the outside of the stain to the inside, rinsing out the dirt.

### PRECAUTIONS

- Proper pressure adjustment depending on the type of fabric to be cleaned is essential, as improper adjustment can lead to damage of the fabric.
- Point the gun away from the user or any other person, before switching it on to avoid injury.
- Use the gun in a well ventilated area.

### MAINTENANCE

- ✓ After usage of the gun for the day, spray out the remaining solvent in the gun after emptying the jar. Open the piston and oil it lightly.
- ✓ Clean and lightly oil the cylinder at regular intervals.

## **TEKSTİL LEKE TEMİZLEME TABANCASI / PÜSKÜRTME TABANCASI KULLANIMI**

Kalın ve sık dokunmuş kumaşı temizlemek için, ince düz bir yüksek basınçlı püskürtme çizgisi elde etmek için uçtaki ayar düğmesini döndürün. Çabuk ve etkili temizlik için tabancayı kumaştan gereken mesafede tutun. 5-30 cm.

Hassas ve ince kumaşları temizlemek için, kumaşa zarar vermeden temizlemek amacıyla düşük buhar basınç püskürtmesi elde etmek üzere uçtaki ayar düğmesini döndürün.

Tabancanın arkasındaki basınç kontrol düğmesini ayarlayarak daha fazla basınç ayarı yapılabilir.

Tekstil leke temizleme tabancalarımız her türlü kumaştan kir ve lekelerin hızlı ve etkin bir şekilde giderilmesi için tasarlanmıştır. Vakumla oluşturulan basınç tekniği ile çalışır ve ayrı bir hava kompresörü gerektirmez. Tasarımı , düzenli kullanım için çok uygun ve ekonomik hale getirir.

### **AYARLANABİLİR UÇ AVANTAJI**

Bu uç, farklı kumaş türlerinde kir, yağ lekeleri ve diğer lekelerin giderilmesinde daha yüksek verimlilik için uygundur. Kullanıcının solvent çıkışını ve püskürtme alanını, gerektiği gibi uçtaki ayar düğmesini basitçe çevirerek kontrol etmesini sağlayan, gelişmiş kademesiz basınç ayar özelliği sayesinde kullanımı daha ekonomiktir.

### **YH-120 Tabanca ayarlı uç ile donatılmıştır.**

Bu uçtaki basınç, püskürtme alanı ile birlikte değişebilir ve bu farklı tür kumaşlar için en uygun olanıdır.

### **KULLANIM TALİMATLARI**

1. Trikloroetan 1.1.1 veya eşdeğer bir ilacın temizlik için kullanılması önerilir.
2. Tabanca basıncı, kumaşın türüne bağlı olarak gerektiği gibi değiştirilebilir. Basıncı artırmak için tabancanın arkasındaki Basınç Kontrol Düğmesini saatin tersi yönünde ve basıncı azaltmak için ise saat yönünde çevirin.
3. Temizlenecek kumaşın türüne bağlı olarak, tabanca ile kumaş arasında 5-30 cm'lik bir mesafe bırakın.
4. Leke üzerine dairesel bir şekilde püskürtün, lekenin dışından içeriye doğru hareket ederek kirleri yıkayın.

### **ÖNLEMLER**

- ☞ Temizlenecek kumaşın türüne bağlı olarak uygun basınç ayarı yapılması önemlidir, çünkü yanlış ayarlama kumaşın zarar görmesine neden olabilir.
- ☞ Yaralanmayı önlemek için açmadan önce, tabancayı kullanıcıdan veya başka bir kişiden uzağa doğrultun.
- ☞ Tabancayı iyi havalandırılmış bir alanda kullanın.

### **BAKIM**

- ✓ Gün içinde tabancayı kullandıktan sonra, haznenin boşaltılmasından sonra tabancadaki kalan ilacı püskürtün. Pistonu açın ve hafifçe yağlayın.
- ✓ Silindiri düzenli aralıklarla temizleyin ve hafifçe yağlayın.





**ARROW**® 220V~ /50Hz CE  
40W/0.15A  
**YH-120 CLEANING GUN**  
Attention : This product is designed for intermittent use. To prevent over-heating, do not use uninterrupted for more than 2 minutes and then give a break of at least 1 minute.  
**MADE IN INDIA**  
Appliance shall only be used with rated voltage & frequency

**ARROW**® YH-120 CE  
**TEXTILE CLEANING MACHINE**

Liikvi oleks kasutada kuni  
maksimaalselt 2 minutit  
järel peab olema vahet  
vähemalt 1 minutit  
Kõrg rõhk - ärä mitte panna  
spray suunata inimestele



CE

YH-120

ARROW®

Tekstil Leke Temizleme Tabancası





Lütfen yüksek basınca karşı  
uzuvlarınızı koruyunuz.  
insanlara / hayvanlara  
doğrudan doğruya  
doğrudan doğruya  
doğrudan doğruya

High pressure - do not point  
or spray on humans / animals



Lütfen yüksek basınca karşı  
uzuvlarınızı koruyunuz,  
insanlara / hayvanlara  
doğrultmayınız

High pressure - do not point  
or spray on humans / animals

CE  
YH-120  
ARROW®  
Tekstil Leke Temizleme Tabancası

